



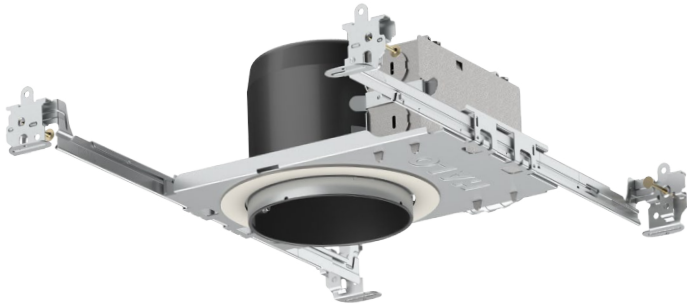
HALO[®]

H245 Series

4" Ultra-shallow housing

Ultra-shallow housings

H245ICAT / H245RICAT



H245ICAT New Construction

- Suitable for 2x4 framing and shallow plenum construction
- Housing adjusts for 1/2" to 1-1/4" ceiling thickness
- Suitable for direct contact with air-permeable insulation and air tight
- Captive, pre-installed Got Nail!™ bar hangers adjust from 6" to 24", integral nail penetrates standard and engineered lumber
- Slide-N-Side™ non-metallic (NM) wire traps allow wiring outside the box, 4-port push wire nuts for quick and reliable mains voltage connections



H245RICAT Remodel

- Suitable for 2x4 framing or shallow plenum construction
- Compatible with 3/8" to 3/4" ceiling thickness
- Retractable mounting springs are designed for easy installation and removal for service or splice inspection
- Quick Connect™ remodel wiring tray increases installation speed and reliability
- Hinged and captive door on junction box allows for easy access
- Insulated ceiling listed and Air-Tite™

Compatible with the following LED modules

LT4	RSQ4
ML4	SMD4
RA4	SLD4
RL4	



Both the H245ICAT and H245RICAT are cULus listed for use with all Halo 4-inch integrated LED trims and modules.